

# Northeast Boundary Tunnel (NEBT)

Briefing for ANC 2G Meeting

February 9, 2023



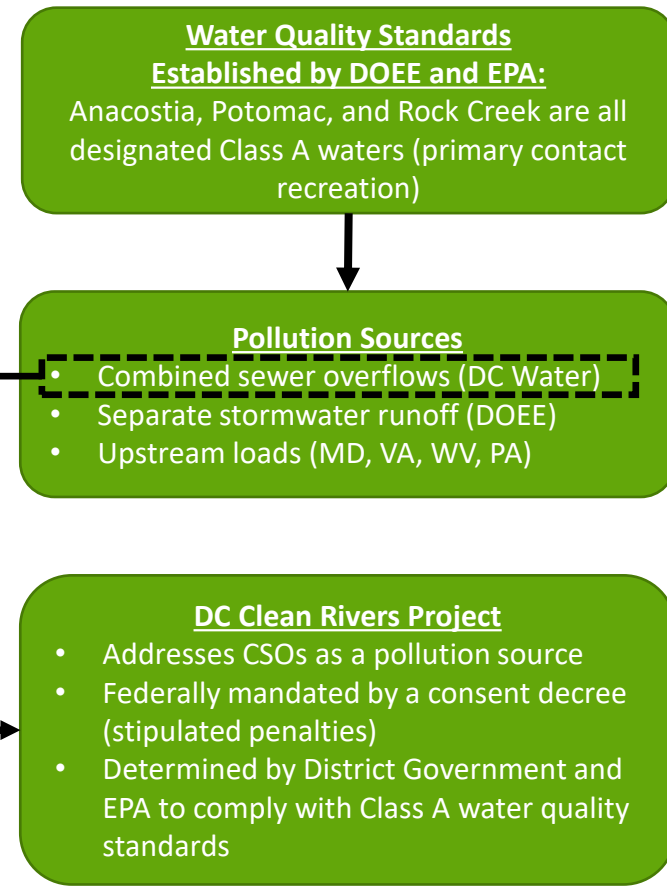
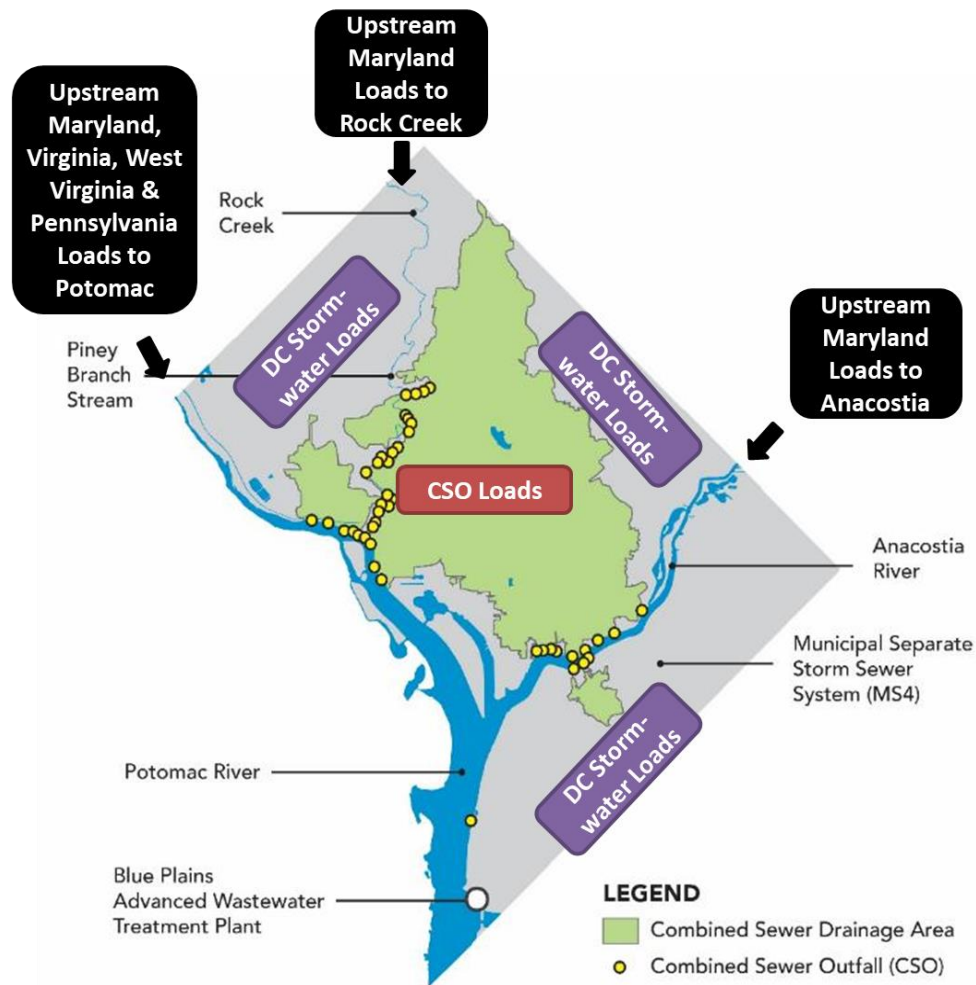
Moussa Wone, Director, DC Clean Rivers Project

- Clean Rivers Project Background
- NEBT Project Overview
- DC Flood Task Force
- R Street NW Construction Site
- NEBT Claims Process
- Main Street Partnerships
- NEBT Contact Information

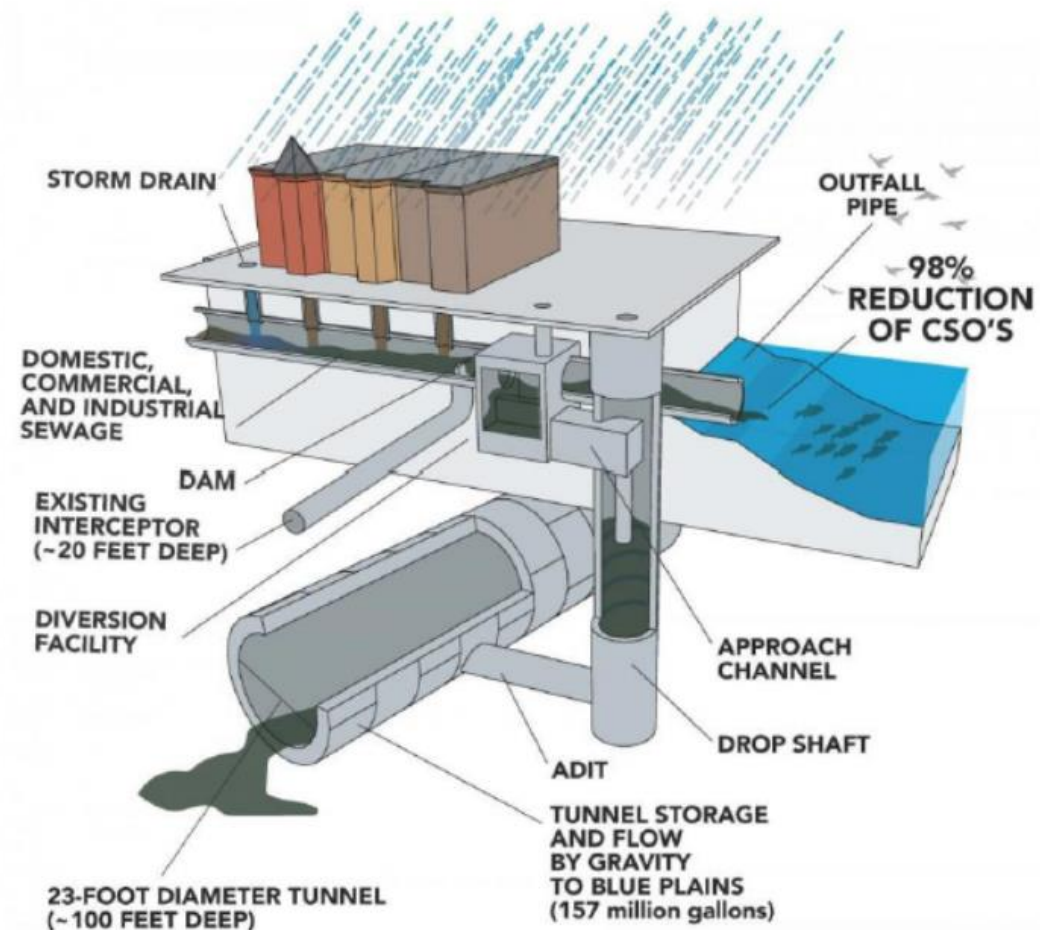
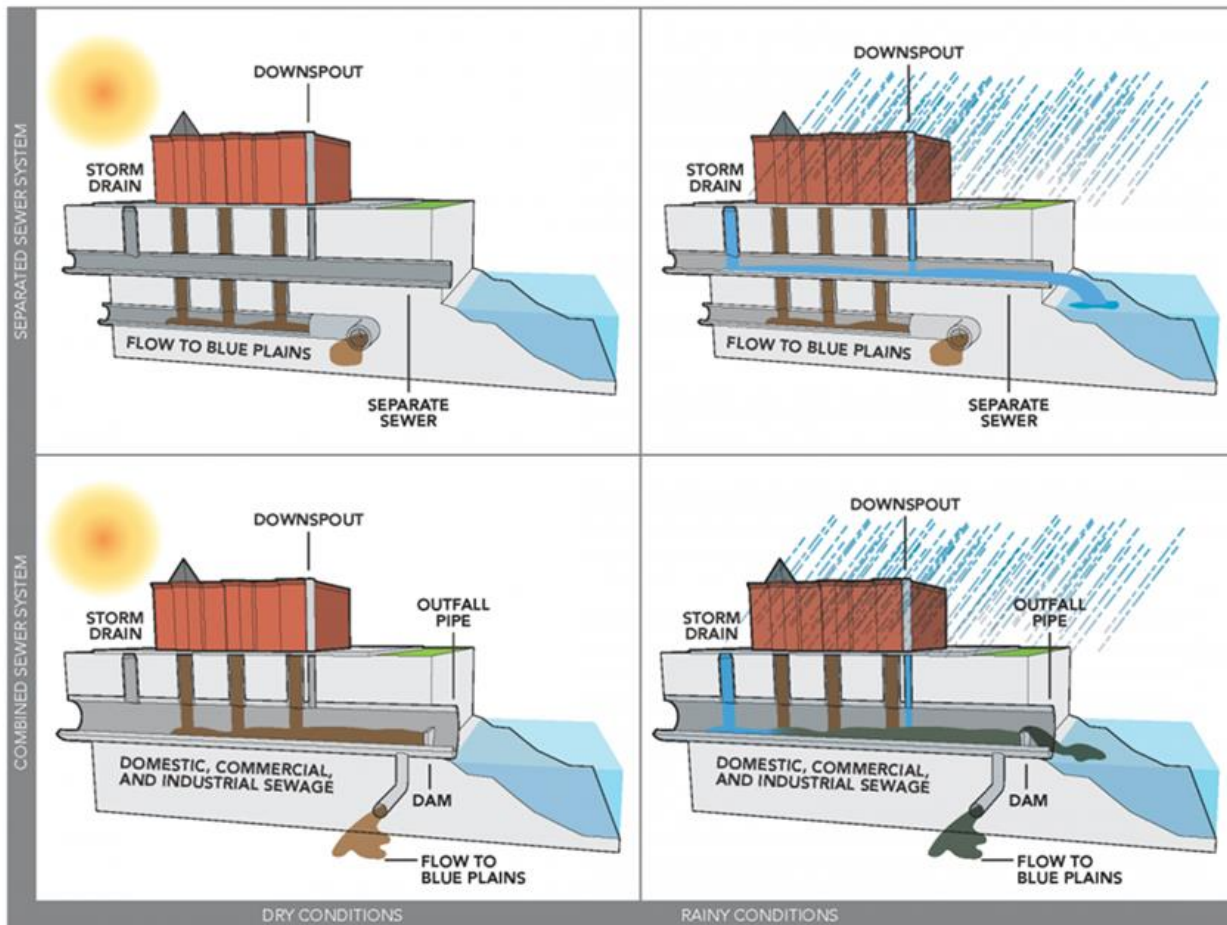




# DC Clean Rivers Project Background: Water Quality Benefits



\* CSO = Combined Sewer Overflows.  
Learn more at [dcwater.com/css](http://dcwater.com/css)

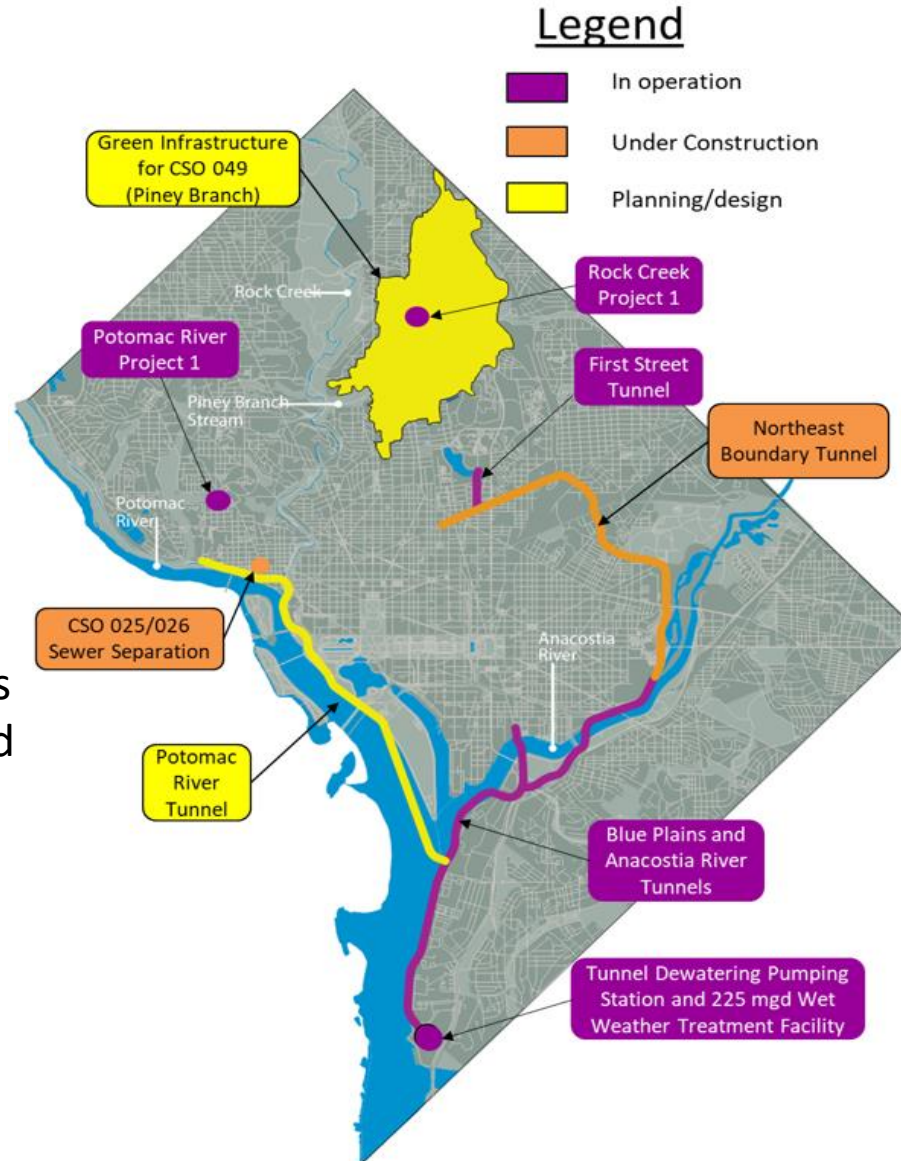




# Northwest Boundary Tunnel Project: Benefits

## Anacostia River CSO System

- Over 14.7 billion gallons captured to date
- Over 9,300 tons of trash, debris, and other solids captured
- Exceeding predicted capture rate (90% > 80%)
- First year in operation was the wettest year on record for the District of Columbia



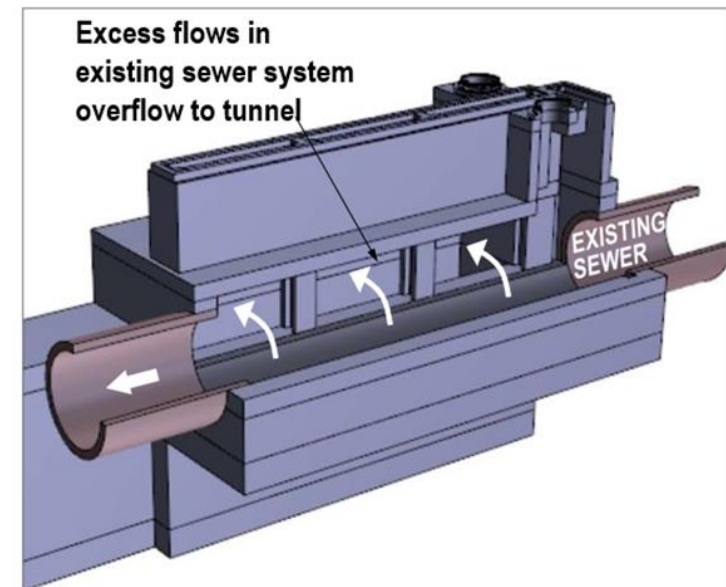
- Reduce the frequency and magnitude of street flooding
- Significantly mitigate the frequency, magnitude, and duration of sewer flooding and basement backups in the Northeast Boundary drainage area
- Reduce risks to human health
- Control \*combined sewer overflow (CSO) discharges to the Anacostia River, significantly improving water quality
- Prevent deterioration of historic resources from water damage caused by flooding

\* CSO = Combined Sewer Overflows. Learn more at [dcwater.com/css](https://dcwater.com/css).



**Construction Areas**

| Number | Site                             |
|--------|----------------------------------|
| 1      | CSO 019                          |
| 2      | Mt Olivet Road                   |
| 3      | W Street                         |
| 4      | Rhode Island Avenue (near Metro) |
| 5      | 4th Street                       |
| 6      | 1st Street                       |
| 7      | T Street                         |
| 8      | Florida Avenue                   |
| 9      | R Street                         |





- 23' diameter tunnel, 5 miles long
- Largest project ever implemented by DC Water (\$580 M)
- Designed to:
  - Provide CSO control
  - Mitigate flooding in specific chronic areas up to 15-year 24-hour storm (the current design standard for the system)
  - Will not eliminate flooding for a larger storm, but will mitigate the impact
- Consent Decree requires project to be placed in operation by March 23, 2025. The project was accelerated after Bloomingdale/LeDroit Park flooding in 2012 and is planned to be placed in service in summer 2023



- Established by the Office of City Administrator (OCA) in September 2021
- Purpose: identify policies and projects to bolster flood readiness while equitably protecting the District's residents and economy from the damage that floods
- Chair: Deputy Mayor for Operations and Infrastructure (DMOI)
- Co-chairs: Director of the Department of Energy and Environment (DOEE) and the Chief Executive Officer and General Manager of DC Water
- [dcfloodtaskforce.org/](https://dcfloodtaskforce.org/)
- Develop action plans on key topics







- **Resources for flooding**

- Customer service, claims, what to expect, etc.
- [dcwater.com/flooding](https://dcwater.com/flooding)

- **DC Water Command Center**

- By phone at 202-612-3400, email at [command.center@dcwater.com](mailto:command.center@dcwater.com), or by Tweet “@dcwater”



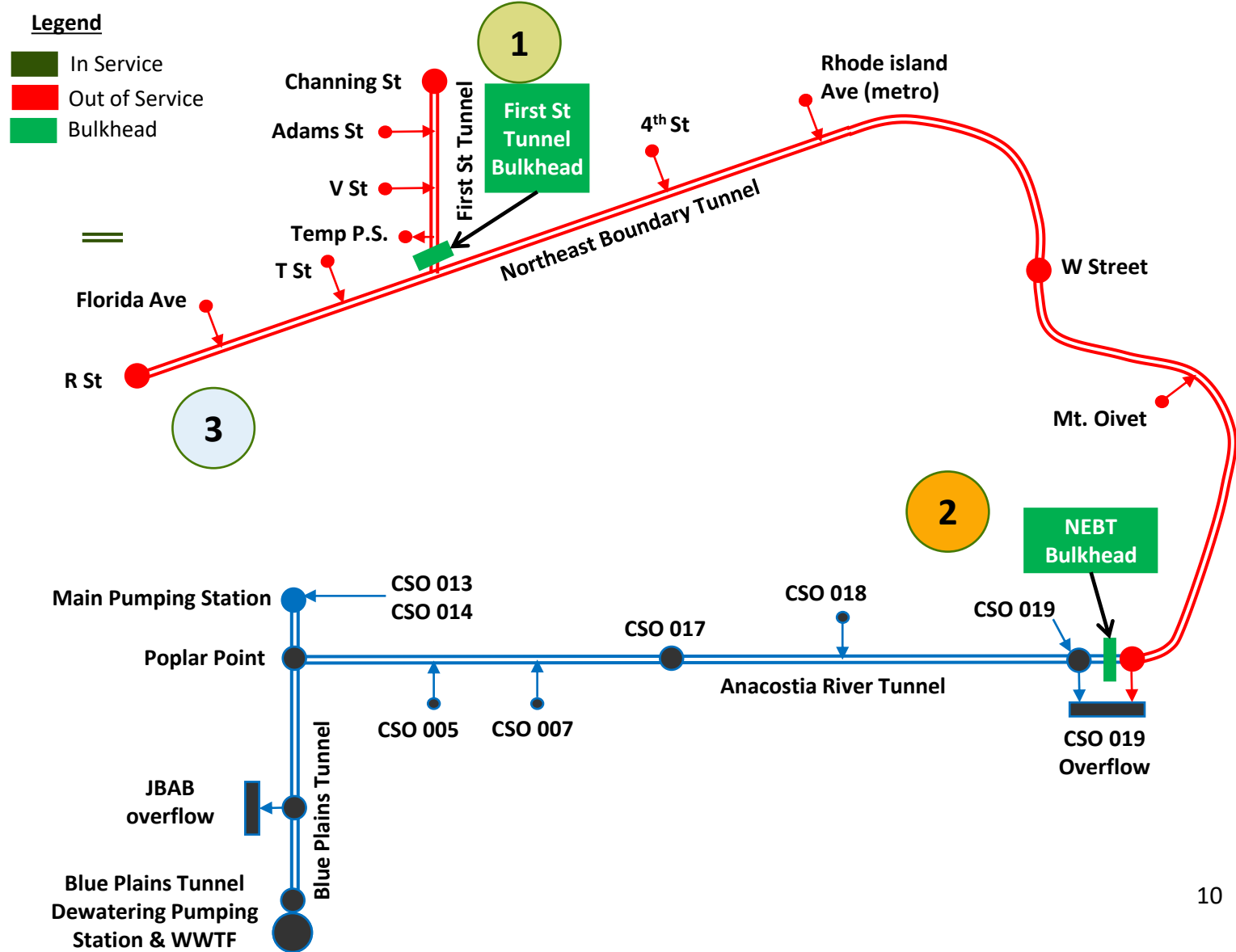
# NEBT/FST Commissioning Plan

## We Are Here

- 1**
- Take First St Tunnel out of service, remove cunette
  - Put tunnel back in service
- This winter: Dec'22-Feb'23**

- 2**
- Take CSO 019 diversion out of service and demolish NEBT Bulkhead
  - Demolish First St Tunnel Bulkhead
- Work around rain events in Summer 2023**

- 3**
- Put CSO 019 back in service
  - Activate NEBT diversions





# NEBT/FST Commissioning Plan: Revised Schedule



First St Tunnel out of  
service Dec '22-Feb '23



| Activity                              | 2022  |               | 2023           |                 |
|---------------------------------------|---|---------------|----------------|-----------------|
|                                       | Oct, Nov, Dec                                     | Jan, Feb, Mar | Apr, May, June | July, Aug, Sept |
| Florida Ave - NEBT Liner & Diversion  | [Solid blue bar spanning Oct 2022 to Mar 2023]    |               |                |                 |
| First St Tunnel Connection            | [Solid blue bar spanning Oct 2022 to Feb 2023]    |               |                |                 |
| Diversion Sites, Inlets, Shaft Covers | [Solid blue bar spanning Oct 2022 to Jun 2023]    |               |                |                 |
| Bulkhead Demolition & Commissioning   | [Dashed orange bar spanning Apr 2023 to Sep 2023] |               |                |                 |



Predicted commissioning period  
based on current schedule,  
dependent on construction  
progress over next 9 months

Northeast Boundary Tunnel (NEBT)  
First Street Tunnel (FST)



# Construction Sites in NW Area



## CONSTRUCTION WORK HOURS

|                       |                    |
|-----------------------|--------------------|
| Monday – Friday       | 7:00 AM to 7:00 PM |
| After-Hours           | 7:00 PM to 3:00 AM |
| Saturday              | 7:00 AM to 5:00 PM |
| Construction End Date | Summer 2023        |

**Current Activities:** Install roof slab for the ventilation control vault and then backfill the area.

**Later:** Install the electrical cabinet and the drop shaft cover.



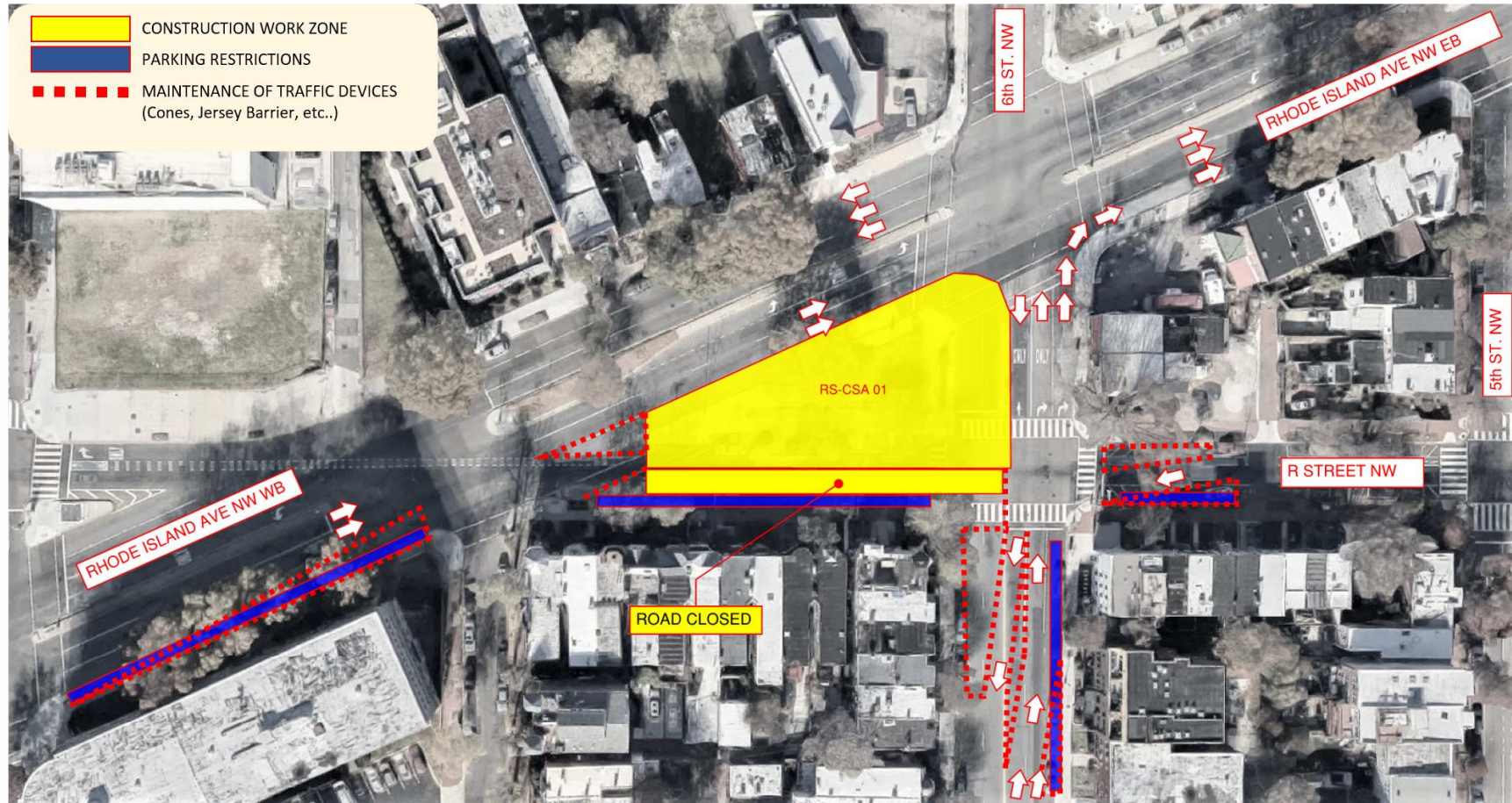
\* The Construction End Date includes completing the restoration of the sidewalks and roadway.



# Restoration Plan for Cooper Gordon Park

- Plant 3 Willow Oaks
- Plant 9 Crepe Myrtles which bloom with attractive bark
- Plant shrubs, grasses, blooming perennials, and ground covers
- Restore the original ornamental iron fencing in the park as well as the Cooper memorial sign. A new Gordon memorial sign will be added.
- Install 3 new park benches
- Install an irrigation system with a rain sensor to water the plants
- The Commission of Arts and Humanities will manage the process for commissioning new art to be installed in the park

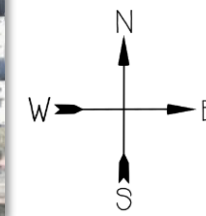




## R STREET NW CONSTRUCTION SITE – TRAVEL LANES

### MAIN IMPACT:

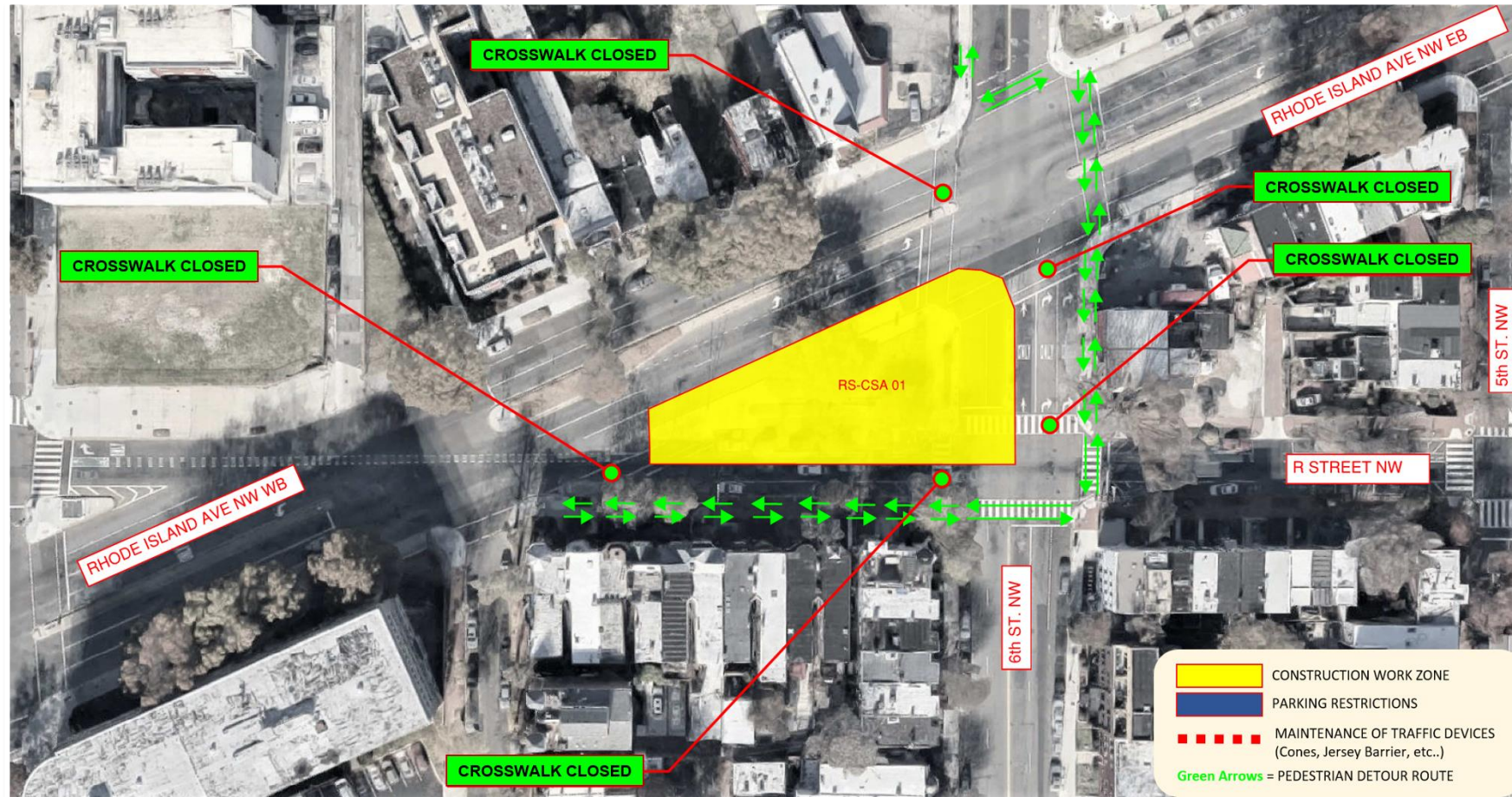
Reduction and shifting of travel lanes on 6th Street. One lane closure on Rhode Island Ave NW eastbound. R Street NW westbound traffic is detoured. **Bike lane remains open through R Street NW.**



## R STREET NW CONSTRUCTION SITE – TRAVEL LANES

**MAIN IMPACT:** Westbound traffic on R Street is detoured to P Street NW. Please follow all detour signs.





## R STREET NW CONSTRUCTION SITE – PEDESTRIAN DETOUR

### MAIN IMPACT:

Crosswalk closed at Rhode Island Avenue NW and 6<sup>th</sup> Street NW intersections and on 6<sup>th</sup> Street and R Street NW intersection. **Pedestrians, please follow the detour signs.**



- If you are a property owner and you believe that construction activities undertaken as a result of this project have damaged your property in some way, you may send an email to [dccleanrivers@dcwater.com](mailto:dccleanrivers@dcwater.com) or call the Hotline at 800-988-6151.
- A representative of the contractor, SIH, will contact you to receive the information for the claim. A claim will be initiated on your behalf and a copy will be transmitted to you. Further communications about the claim will occur between the property owner and DC Water's insurance company.
- The claim receives a claim number, and an adjuster investigates.
- It is recommended that when you see damage, report it.



# Shaw Main Street Contact Information



**Alexander M. Padro, Executive Director**

**875 N Street NW  
Washington, DC 20001**

**202-265-SHAW**  
[info@shawmainstreets.org](mailto:info@shawmainstreets.org)  
[shawmainstreets.org](http://shawmainstreets.org)

DC Water continues to partner with the Main Street organizations to work with businesses impacted by the Northeast Boundary Tunnel Project.



- Email [dccleanrivers@dcwater.com](mailto:dccleanrivers@dcwater.com)
- Call our 24/7 NEBT Hotline: (800) 988-6151
- Visit the NEBT Website: [dcwater.com/NEBT](https://dcwater.com/NEBT)
- To receive e-newsletters send your email to [dccleanrivers@dcwater.com](mailto:dccleanrivers@dcwater.com)